


Prodigy PRO

PRODUCT SHEET



KID-05 S
Standard controller



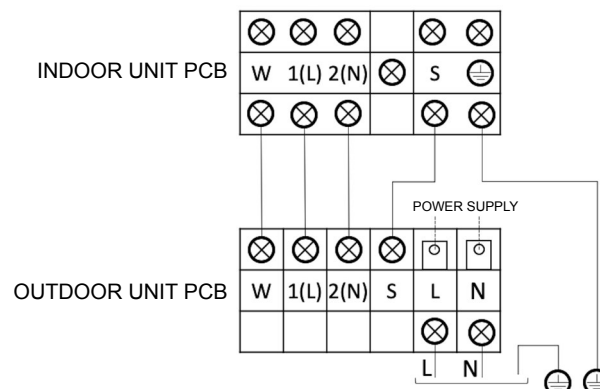
Product certified by: 



FEATURES

Model	AKAY-P 26 DR9	AKAY-P 35 DR9
Cooling capacity	2,73 kW	3,52 kW
Cooling power input	600 W	880 W
Heating capacity	3,14 kW	3,96 kW
Heating power input	690 W	990 W
ErP Classification cold/heat	A+++ / A++	A+++ / A++
Airflow (indoor)	280/360/530 m ³ /h	290/380/560 m ³ /h
Sound pressure (indoor)	20,50 dB(A)	21 dB(A)
Airflow (outdoor)	2.200 m ³ /h	2.200 m ³ /h
Sound pressure (outdoor)	57 dB(A)	57,50 dB(A)
Power supply	220-240 V / 1 / 50 Hz	
Power wiring (outdoor)	(2+T)x1,50 mm ²	(2+T)x1,50 mm ²
Communication wiring	(4+T)x1,50 mm ²	(4+T)x1,50 mm ²
Refrigerating pipes	Ø1/4" / Ø3/8"	Ø1/4" / Ø3/8"
Refrigerant charge / Additional charge	0,69 kg / 0,012 kg	0,69 kg / 0,012 kg
Max. pipe length	25 m	25 m
Max. level difference	10 m	10 m

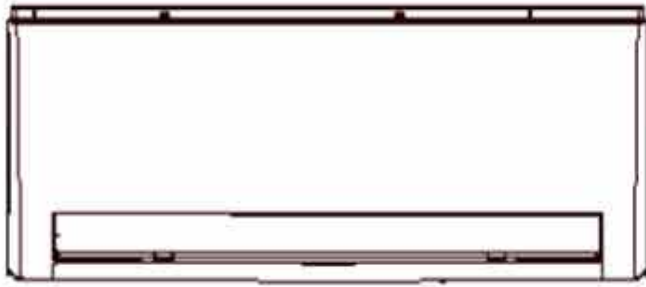
WIRING DIAGRAM



NOTES:
 (1) The data and specifications present in this sheet may vary without notice.
 (2) The images on this sheet are indicative and may be different from the final machine.

DIMENSIONS & WEIGHT OF INDOOR UNIT

Model	Weight	Width	Height	Depth
KAY-P 26 DR9	10,20 kg	795 mm	295 mm	225 mm
KAY-P 35 DR9	10,20 kg	795 mm	295 mm	225 mm



DIMENSIONS & WEIGHT OF OUTDOOR UNIT

Model	Weight	Width	Height	Depth
KAE-P 26 DR9	28,40 kg	805 mm	554 mm	330 mm
KAE-P 35 DR9	28,40 kg	805 mm	554 mm	330 mm

