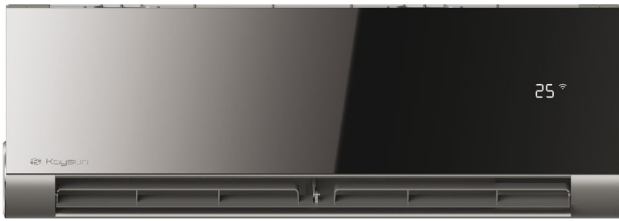


Onnix 2021

PRODUCT SHEET



KID-05 S
Standard controller



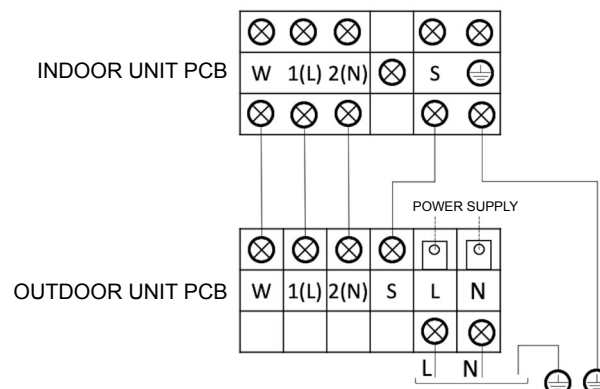
Product certified by:



FEATURES

| Model | AKAY-D 26 DR9 | AKAY-D 35 DR9 |
|--|-------------------------------|-------------------------------|
| Cooling capacity | 2,64 kW | 3,52 kW |
| Cooling power input | 613 W | 1.034 W |
| Heating capacity | 2,93 kW | 3,81 kW |
| Heating power input | 637 W | 1.027 W |
| ErP Classification cold/heat | A+++ / A++ | A+++ / A++ |
| Airflow (indoor) | 384/478/558 m ³ /h | 384/478/558 m ³ /h |
| Sound pressure (indoor) | 24 dB(A) | 24 dB(A) |
| Airflow (outdoor) | 2.200 m ³ /h | 2.200 m ³ /h |
| Sound pressure (outdoor) | 54 dB(A) | 54 dB(A) |
| Power supply | 220-240 V / 1 / 50 Hz | 220-240 V / 1 / 50 Hz |
| Power wiring (outdoor) | (2+T)x1,50 mm ² | (2+T)x1,50 mm ² |
| Communication wiring | (4+T)x1,50 mm ² | (4+T)x1,50 mm ² |
| Refrigerating pipes | Ø1/4" / Ø3/8" | Ø1/4" / Ø3/8" |
| Refrigerant charge / Additional charge | 0,62 kg / 0,012 kg | 0,62 kg / 0,012 kg |
| Max. pipe length | 25 m | 25 m |
| Max. level difference | 10 m | 10 m |

WIRING DIAGRAM

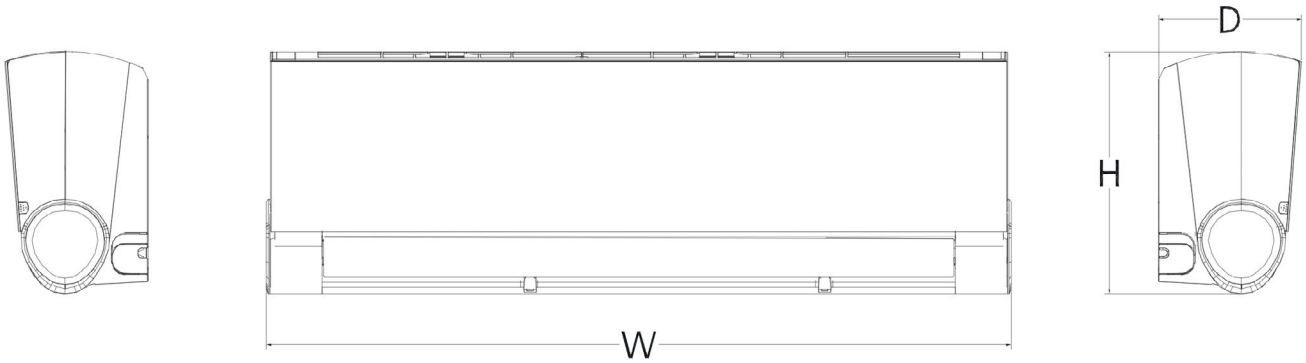


NOTES:

- (1) The data and specifications present in this sheet may vary without notice.
 (2) The images on this sheet are indicative and may be different from the final machine.

DIMENSIONS & WEIGHT OF INDOOR UNIT

| Model | Weight | W | H | D |
|---------------------|----------|--------|--------|--------|
| KAY-D 26 DR9 | 10,50 kg | 897 mm | 312 mm | 182 mm |
| KAY-D 35 DR9 | 10,50 kg | 897 mm | 312 mm | 182 mm |



DIMENSIONS & WEIGHT OF OUTDOOR UNIT

| Model | Weight | Width | Height | Depth |
|-------------------|----------|--------|--------|--------|
| KAE-26 DR9 | 26,70 kg | 765 mm | 555 mm | 303 mm |
| KAE-35 DR9 | 26,70 kg | 765 mm | 555 mm | 303 mm |

